

How do plant and animal cells differ?

Lesson Review

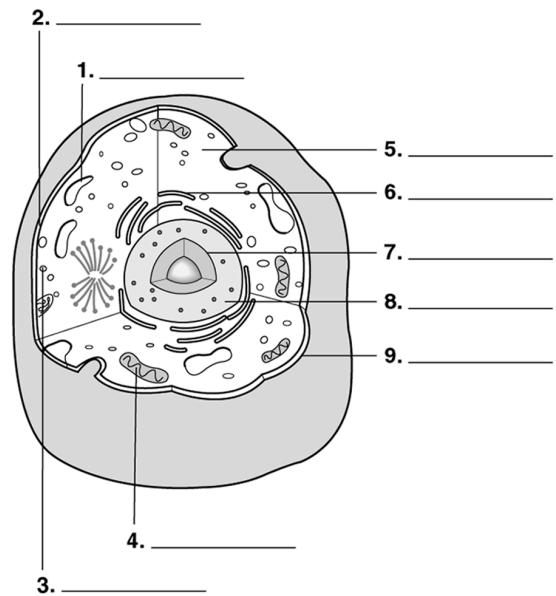
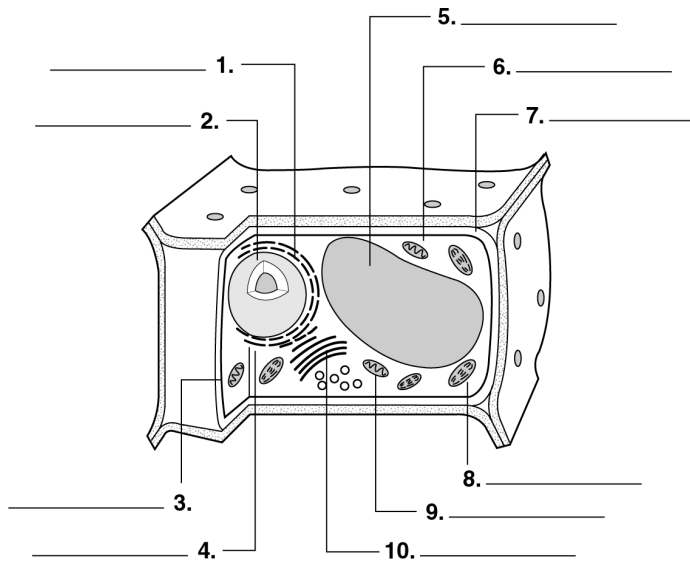
Complete the table by writing *yes* if the cell contains the structure or substance indicated on the left and *no* if the cell does not contain the structure or substance indicated.

COMPARING PLANT AND ANIMAL CELLS		
Structure or Substance	Plant Cell	Animal Cell
1. cellulose		
2. nucleus		
3. chlorophyll		
4. cell wall		
5. cytoplasm		
6. cell membrane		
7. mitochondria		
8. ribosomes		
9. vacuoles		
10. chloroplast		

Skill Challenge

Skills: diagramming, labeling

Label the parts of the plant and animal cells in the spaces provided.



Answer Key

How do plant and animal cells differ?

Lesson Review

TABLE

1. Plant Cell 2. Plant Cell, Animal Cell 3. Plant Cell
4. Plant Cell 5. Plant Cell, Animal Cell 6. Plant
Cell, Animal Cell 7. Plant Cell, Animal Cell
8. Plant Cell, Animal Cell 9. Plant Cell, Animal Cell
10. Plant Cell

Skill Challenge

- Plant cell:** 1. endoplasmic reticulum 2. 2. nucleus
3. cell membrane 4. ribosomes 5. vacuole
6. cytoplasm 7. cell wall 8. chloroplast
9. mitochondrion 10. golgi body; **Animal**
cell: 1. vacuole 2. cell membrane 3. ribosomes
4. mitochondrion 5. cytoplasm 6. endoplasmic
reticulum 7. nucleus 8. nuclear membrane 9. cell
membrane